

Pulsonix Database Connection



Corporate Database Access for Pulsonix

The Pulsonix Database Connection (PDC) is a database driven Part management system for the Pulsonix design environment. As a totally integrated centralised Parts resource, it enables you instant access to your company's SAP, MRP II or database system.

Industry Standard ODBC Connection

PDC connects to manufacturing, engineering and corporate databases using a standard ODBC connection. It allows access to many databases and other storage formats such as MS Access, MS Excel, CSV, TXT, DBase, Fox, Sage, MySQL and SQLServer for example.

Configuration

A graphical interface is used to configure the system with easy mapping between the 'host' data fields and Pulsonix attribute fields. Configuration allows critical fields to be defined and subsequently checked. Critical fields are those which when checked, must be the same value as the database and not 'local' values. An interface to migrate Pulsonix Part data to your database is also supplied.

Parametric Searching

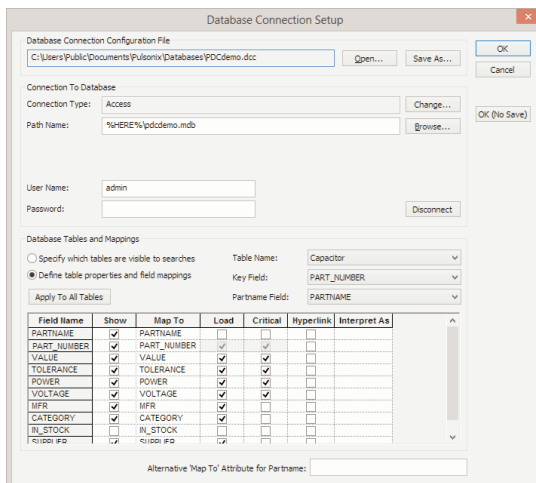
Within Pulsonix, up-to-date Parts can be identified from the central database using powerful SQL parametric search criteria from drop-down list selections. Searching using a number of search parameters will quickly locate suitable Part candidates from the database which you can then further refine to identify the exact Part you require.

Supply of Database

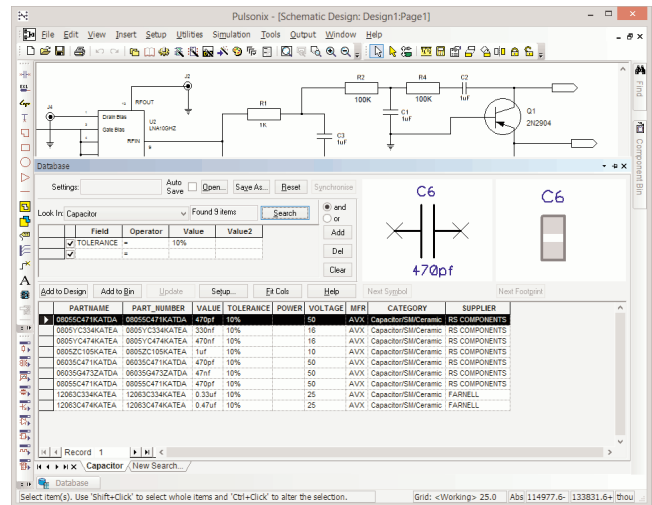
Where you wish to use this product but an existing company database does not exist, a 'ready made' template database is available. The database is supplied in configured and populated format ready to use. You can also make your own additions to the database as your library is expanded.

Management Tools

PDC can be run from a centralised database resource. The system administrator is able to manage database access and read/write permissions for each user using standard server admin rights. Additional library management control facilities are available when using the PDC with floating Pulsonix licenses.



Easy mapping between the 'host' data fields and Pulsonix attribute fields enables fast configuration



Parametric Part searching is enhanced with simple drag & drop methodology to load Parts into the design from the preview window

Consultancy

A consultancy service is available for all aspects of the database integration, including data migration, setup, Part creation and system administration services.

Features Summary

- Connects to manufacturing/engineering/corporate database
- Uses an industry standard ODBC connection
- Allows access to many databases and other storage formats such as MS Access, MS Excel, CSV, TXT, DBase, Fox, Sage, MySQL and SQLServer:
- Integrated environment within Pulsonix
- Uses floating docking window for Part selection
- Centralised database resource
- Configuration allows mapping of data fields
- Migration tool available for Parts libraries
- Allows Parts to be added to Schematic or PCB designs
- Powerful Parametric searching
- Refine searching from 'rough' searches
- Preview windows shows both SCM Symbol and PCB Footprint
- Component/Part analysis of design items to database
- Report 'local' Parts which do not appear in the database
- Check selected Parts or whole design
- Update design based on configuration fields (Critical etc.)
- Option update design based on mismatched non-critical fields